

L60-8...L120-3

Model: M07

en **Assembly and Operating Instructions**

DC tubular drives with crank activation

Important information for:

• Fitters / • Electricians / • Users

Please forward accordingly!

These instructions must be kept safe for future reference.

2010 300 237 0i 19/02/2024

Becker-Antriebe GmbH
Friedrich-Ebert-Straße 2-4
35764 Sinn/Germany
info@becker-antriebe.com
www.becker-antriebe.com



BECKER
for you. forever.

Table of contents

General	3
Warranty	3
Safety instructions	4
Instructions for the user	4
Instructions for installation and commissioning.....	4
Intended use	6
Assembly	6
Setting the limit positions.....	9
Using the crank handle	10
Information for the electrician	10
Disposal	10
Maintenance	10
Technical data dia. 58	11
What to do if...?.....	11
Sample wiring diagram	11
Declaration of conformity	12

General

These tubular drives are high-quality products with the following features:

- For use with roller shutters
- For use with sunblinds
- For use with doors
- Easy limit switch setting on the drive

Please follow these Assembly and Operating Instructions when installing and setting up the device.



The date of manufacture comes from the first four digits of the serial number.

The numbers 1 and 2 indicate the year and the numbers 3 and 4 indicate the calendar week.

Example: 34th calendar week in 2020

Ser. No.:	2034XXXXX
-----------	-----------

Explanation of pictograms

	CAUTION	CAUTION indicates a hazardous situation which, if not avoided, could result in injury.
	ATTENTION	ATTENTION indicates measures that must be taken to avoid damage to property.
		Denotes user tips and other useful information.

Warranty

Structural modifications and incorrect installation which are not in accordance with these and our other instructions can result in serious injuries, e.g., crushing of limbs. Therefore, structural modifications may only be carried out with our prior approval and strictly in accordance with our instructions, particularly the information contained in these Assembly and Operating Instructions.

Any further processing of the products which does not comply with their intended use is not permitted.

The end product manufacturer and fitter have to ensure that all the relevant current statutory, official and, in particular, EMC regulations are adhered to during utilisation of our products, especially with regard to end product manufacture, installation and customer advice.

Safety instructions

The following safety instructions and warnings are intended to avert hazards and to prevent property damage and personal injury.

Instructions for the user

General information

- The drive must be disconnected from its power source during cleaning and maintenance and when replacing parts.
- All work, including maintenance and cleaning, on electrical installations as well as other system parts must always be performed by trained technicians, in particular qualified electricians.
- Children from the age of 8 years and persons with reduced physical, sensory or mental capabilities or lack of experience and/or knowledge may use these devices, provided they are supervised or have been instructed in the safe use of the device, and have understood the hazards involved. Children must not play with the device.
- Systems have to be checked regularly by authorised specialists for wear and damage.
- Always put damaged systems out of operation immediately until they are repaired by an authorised specialist.
- Do not operate equipment if people or objects are within the danger zone.
- Observe the danger zone of the equipment during operation.
- Ensure that there is adequate clearance (at least 40 cm) between moving parts and adjacent objects.



Caution

Safety instructions for avoiding serious injuries.

- **Crushing or shearing points must be avoided or protected.**

Instructions for installation and commissioning

General information

- Observe the safety instructions in EN 60335-2-97. Please note that this list of safety instructions is not exhaustive, since it would be impossible for the standard to include all sources of danger. For example, the design of the operated product, the way the drive works in the situation it is installed in or even the way the end product is mounted in the end user's place of use cannot be taken into consideration by the drive manufacturer.
If any questions or uncertainties regarding the safety instructions contained in the standard arise, please contact the manufacturer of the part or end product in question.
- All applicable standards and regulations for electrical installation must be complied with.
- All work, including maintenance and cleaning, on electrical installations as well as other system parts must always be performed by trained technicians, in particular qualified electricians.
- Only use spare parts, tools and accessory devices which have been approved by the drive manufacturer.
Unapproved third-party products or modifications to the system and its accessories represent a risk to your safety and the safety of others. This means that the use of unapproved third-party products, or modifications which have not been agreed with or approved by us, are prohibited. We do not accept liability for damage or injury arising from such actions.
- Position switch with OFF presetting within sight of the driven product, but away from moving parts, at a height of over 1.5 m. This must not be publicly accessible.
- Permanently mounted control devices must be positioned where they can be seen.
- Rated torque and duty cycle must be suitable for the requirements of the driven product.
Technical data - rated torque and service life can be found on the type plate of the tubular drive.
- Hazardous moving parts of the drive must be installed at a height of over 2.5 m above floor level or any other surface from which the drive can be accessed.
- To ensure safe operation of the system after commissioning, the limit positions must be correctly set/programmed in.
- Drives with a H05VV-F connecting cable may only be used indoors.
- Drives with a H05RR-F, S05RN-F or 05RN-F connecting cable may be used both indoors and outdoors.
- To connect the drive to the driven part, solely mechanical accessory components made by the drive manufacturer from the current product catalogue may be used. The components must be installed in accordance with the manufacturer's instructions.

- If the drive is used for shading solutions in a specially marked area (e.g., escape routes, hazard zones, safety areas), compliance with all applicable regulations and standards must be ensured.
- Once the drive has been installed, the fitter must mark the used tubular drive in the “Technical data” chapter and make a note of the installation position.



Caution

Safety instructions for avoiding serious injuries.

- **When electrical or electronic equipment and units are operated, certain components, e.g., the power supply unit, are live. Physical injuries or damage to property can result in the event of unauthorised interventions or failure to heed warnings.**
- **The drive should only be operated by safety extra-low voltage (SELV; see Technical data). This must be guaranteed by the control unit.**
- **When using doors, particularly the standard EN 12453 must be observed.**
- **Be careful when touching the tubular drive, as it heats up during operation for technical reasons.**
- **Before installation, shut down all lines and control devices that are not essential for operation.**
- **Crushing or shearing points must be avoided or protected.**
- **When installing the drive, all-pole disconnection from the mains with a contact gap of at least 3 mm per pole must be provided (EN 60335).**
- **If the mains connecting cable is damaged, it may only be replaced by the manufacturer.**

Attention

Safety instructions for avoiding property damage.

- **Ensure that there is adequate clearance between moving parts and adjacent objects.**
- **The drive must not be carried by the mains connecting cable.**
- **All latching connections and fastening screws on the brackets must be checked to ensure that they are secure.**
- **Ensure that nothing rubs against the tubular drive, such as shading solution attachments, screws, etc.**
- **The drive must be fitted horizontally.**

Intended use

The type of tubular drive described in these instructions is intended solely for the operation of roller shutter, roller door and sun protection systems, as well as for special applications which are approved by the drive manufacturer. When using an emergency power supply (battery), the system can be conveniently operated by motor power in the event of power failure. Continuous operation or use of tools (e.g. drills for activating the crank) is forbidden, since after a certain period of time this leads to the failure of the manual function and with it the failure of the tubular drive.

This type of tubular drive is designed for use in single systems (one drive per barrel).

The tubular drive must not be used in potentially explosive areas.

The connecting cable is not suitable for transporting the drive. Always carry the drive by the housing tube.

Other applications, uses and modifications are not permitted in order to protect the safety of the users and others, since these actions can impair the system's safety and carry the risk of personal injury and property damage. The drive manufacturer does not accept liability for damages or injury arising from such actions.

Always observe the information in these instructions when operating or repairing the system. The drive manufacturer does not accept liability for damage or injury resulting from improper usage.

Assembly

Assembling the drive

Attention

To connect the drive to the driven part, solely mechanical accessory components made by the drive manufacturer from the current product catalogue may be used.

Prior to mounting, the fitter must ensure that the masonry and the system being motorised are sufficiently robust (drive torque plus weight of the shading solution).

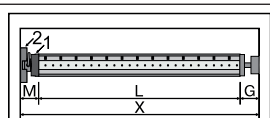


Caution

Electrical connections may only be carried out by a qualified electrician. Prior to assembly, the power supply must be disconnected and secured. Please give the enclosed connection information to the responsible electrical contractor.

Attention

The fastening elements (wall bracket) must be aligned and fixed so that tensions cannot occur when screwing the crank handle housing.



Calculate the space required at the side (M) by measuring the drive head (1) and wall bracket (2). The clear dimension of the box (X) minus the space required at the side (M) and idler (G) gives the length (L) of the barrel: $L = X - M - G$.

The space required at the side (M) varies depending on the combination of drive and wall bracket.

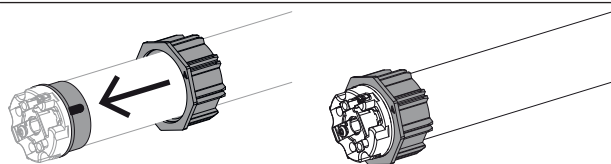
Then mount the wall bracket and idler. Ensure that the barrel is aligned at right angles to the wall and that sufficient axial play is allowed for the mounted system.

Attention

When using rigid shaft connectors, closed brackets must be fitted. The tubular drive presses the closed curtain down to make it difficult for people to reach under it or raise it. Only use curtains made of sufficiently strong material, such as aluminium, steel or wood. To prevent damage to the curtain it must run in guide tracks from top to bottom.

Assembling and disassembling the drive adapter

Fitting the ring onto the thrust ring



Assembling the drive adapter with safety catch on the drive shaft		Disassembling the drive adapter with safety catch on the drive shaft	
Assembling and disassembling the drive adapter with drive adapter safety catch or screw connection			
	Assembling and disassembling the drive adapter with separate drive adapter safety catch		Assembling and disassembling the drive adapter with screw connection

Mounting the drive in the tube

	For profile shafts: In the case of some drive adapters, tolerances of the groove widths in different barrels can be offset by rotating the drive adapter into a different groove recess. These groove recesses have different sizes and allow the drive to fit exactly.
	For round shafts: Measure the lug of the thrust ring (X, Y). Then notch the tube on the motor side, so the lug of the thrust ring can also be pushed into the shaft. There must be no play between the lug of the thrust ring and the shaft.
	To ensure secure torque transmission for round shafts , we recommend screwing the drive adapter to the shaft (see the table below). Attention! When drilling into the barrel, never drill near the tubular drive!

Size of drive [mm]	Drive adapter	Torque max. [Nm]	Fastening screws (4 units)
dia. 58	Aluminium drive adapter	Up to 120	Countersunk screw M8 x 16 mm
dia. 58	Diecast drive adapter	Up to 120	Self-tapping screw dia. 6.3 x 13 mm

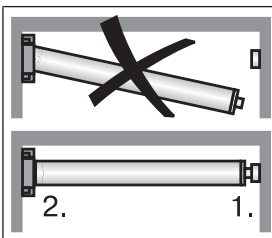
We also recommend screwing the idler to the barrel.

Attention

Do not hammer the tubular drive into the tube or drop it into the barrel! The curtain can only be secured using springs or rigid shaft connectors. We recommend at least three pieces per metre of barrel.

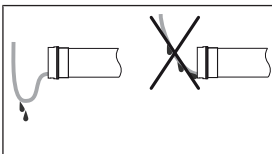
	Assemble the tubular drive with the relevant ring (1) and drive adapter (2). If the ring has several grooves, select the groove which is a perfect fit and push the ring (1) onto the thrust ring. Insert the tubular drive with the pre-assembled ring (1) and drive adapter (2) into the tube to achieve a form fit. Ensure that the ring and drive adapter are secure in the tube. Mount the assembled unit comprising shaft, tubular drive and idler on the box and secure the drive with a splint or spring pin according to the type of wall bracket fixing.
--	--

Position the barrel so that the roller shutter curtain can be attached with springs or fit the rigid shaft connectors in accordance with the manufacturer's instructions.



Mount the assembled unit comprising barrel, tubular drive and idler on the box as follows.

1. First insert the bearing pin into the idler (1.).
2. Then, mount the crank handle housing onto the respective fastening element using at least 2 M6 screws (2.).
3. Now secure the idler.

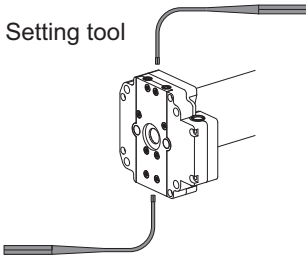


Lay the connecting cable

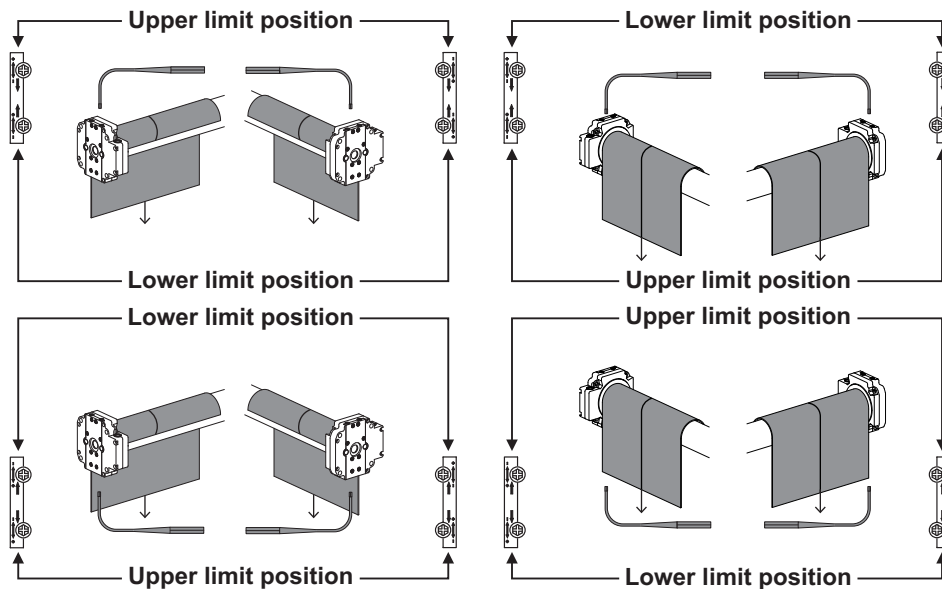
Lay the connecting cable up to the tubular drive, and fix. The connecting cable must not project into the winding chamber. The exterior antenna, if present, must not be shortened or damaged under any circumstances and must not project into the winding space. Cover any sharp edges.

Setting the limit positions

Setting tool



You can set the limit positions with setting tool (Item no. 4933 300 019 0).



Setting the lower limit position

1. Before the shading solution is fixed to the barrel, let the drive run **DOWN** until it switches off automatically.
2. By adjusting the lower limit position, position the barrel to make it easy to fix the shading solution to the barrel.

Setting the upper limit position

Activate the UP switch. The drive rolls up the shading solution. Extend or reduce the range of travel by turning the corresponding set screw.



Note on roller shutter use

To make allowances for any changes in the length of the roller shutter, do not mount mechanical stops. Make sure that the individual laths cannot shift sideways.

During commissioning and subsequent use, ensure that the roller shutter curtain runs **UP** and **DOWN** smoothly and easily.

Test for proper functioning

As a final check, run the shading solution to the limit positions in both directions again.


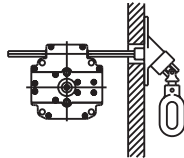
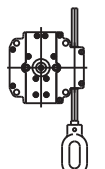
Attention

The tubular drives are designed for short-time operation (S2, see technical data). If the permitted operation time with nominal load is exceeded, there is a risk of thermal overload.

Using the crank handle



For problem-free assembly, use mechanical and electrical accessories made by the drive manufacturer which have been tested and which are suitable for use with these drives.

<p>For 7 mm hexagonal tube and 6 mm square tube</p> 	<p>The crank handle is to be used only in the event of a power failure. It must be ensured that the limit positions are not overrun.</p>
	<p>Crank handle for closed models</p> <p>The crank handle for closed models can be used with roller shutters and roller doors, either with or without a roll-up system. The square bar is fixed to the shutter box. Here, it is important to ensure that the bar is mounted parallel to the guide in the crank handle housing.</p>
	<p>Crank handle for open models</p> <p>These crank handles can be used with awnings, as well as with roller shutters and roller doors without roll-up systems. Insert the square bar into the guide in the crank handle housing and secure axially using a retaining washer or two set screws.</p>

Information for the electrician

It must be ensured that a sufficient power supply is guaranteed for operation with the nominal load.

Attention

Regenerative operation should not occur during application. Only use mechanically or electrically locked switching elements with a marked zero position! The changeover time for switching the running direction must be at least 0.5 s. The drive must only be operated with safety extra-low voltage (SELV; see technical data). This must be guaranteed by the control unit.

Protect the electrical connections from damp.

Once you have finished wiring everything to the control unit, ALWAYS check the correct assignment of the drive running direction to the control buttons UP and DOWN, EXTEND and RETRACT.

If the drive is to be operated with devices which contain sources of interference, the electrician must ensure suitable interference suppression for the relevant devices.

Disposal



The crossed-out bin symbol on the product indicates that the device is subject to mandatory disposal separate from household waste. This product must be handed over to a collection point for electrical and electronic equipment at the end of its service life. The packaging material must be disposed of properly.

Maintenance

These drives are maintenance-free.

Technical data dia. 58

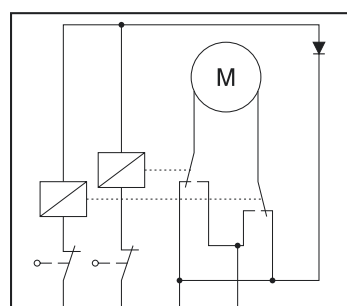
Tubular drive	L60-8	L120-3
Model	M07	
Type	GHK	
Rated torque [Nm]	60	120
Output speed [rpm]	8	3
Limit switch range	38 revolutions	
Supply voltage	24 V DC	
Connected load [W]	150	120
Rated current consumption [A]	6.3	5.0
Mode	S2 8 min	
Degree of protection	IP 44	
Min. tube inside diameter [mm]	60	
Emission sound pressure level [dB(A)]	≤ 70	

What to do if...?

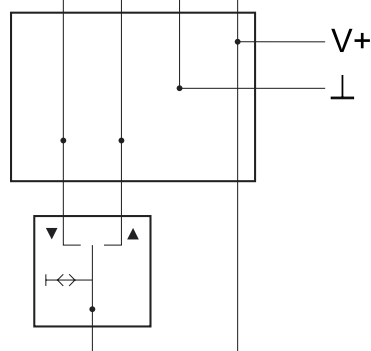
Problem	Cause	Remedy
The roller shutter curtain is raised unevenly or not at all.	<ol style="list-style-type: none"> One or more attachments have broken off. Lath has broken off. 	Repair system; then reset the limit positions.
Tubular drive stops arbitrarily; cannot be restarted in the same direction.	Roller shutter curtain keeps sticking; too much friction.	Repair system
Tubular drive does not run in the right direction.	Electrical connection faulty.	Check the electrical connection.

Sample wiring diagram

Operation via a switch/push-button



BU (1) BN (2) BK (3) RD (4)



Declaration of conformity

BECKER-ANTRIEBE GMBH
Friedrich-Ebert-Str. 2 – 4
35764 Sinn, Germany



BECKER

- Original -

EU Declaration of Conformity

Document No.: **5100 310 089 0**

We hereby declare that the following product series

Product designation: **DC Tubular motor**
Type designation: **P6/20.., P10/11.., R20/17.., L35/8.., L60/8.., L120/3..**
Version: **C, M, G, HK, R, S, P, O, A0...z9, +**
From serial number: **from 233900001**

complies with the applicable regulations of the following Directives:

Directive 2006/42/EC (MD) L157, 09.06.2006

Directive 2014/30/EU (EMC) L96, 29.03.2014

Directive 2011/65/EU (RoHS) L174, 01.07.2011

Furthermore, the safety objectives of the **Low Voltage Directive 2014/35/EU** as per Appendix I No.1.5.1 of Directive 2006/42/EC have been met.

Applied standards:

DIN EN 60335-1:2020

EN 61000-6-1:2019

EN 61000-6-3:2022

EN 14202:2004

Authorised party for the compilation of the technical documentation:
Becker-Antriebe GmbH, Friedrich-Ebert-Str. 2 – 4, 35764 Sinn, Germany

This declaration of conformity was issued:

Sinn, 19.09.2023
Place, Date



Maik Wiegmann, Managing Director

This declaration certifies compliance with the Directives cited but does not represent any assurance of characteristics. The safety warnings in the supplied product documentation must be observed!

CE Antriebe DC_ 5100 310 089 0- _en

For UK-Markets:

The Declaration of Conformity can be provided upon request from Becker Motors Ltd., or can be downloaded on www.beckermotors.co.uk.

**UK
CA**



BECKER
for you. forever.